



[SENTRY]

LED FLOODLIGHT



5 YEAR PRODUCT WARRANTY	W WATTAGE SELECTABLE	IP 65 INGRESS PROTECTION	IK 08 IMPACT PROTECTION
--------------------------------------	--------------------------------	------------------------------------	-----------------------------------

Description

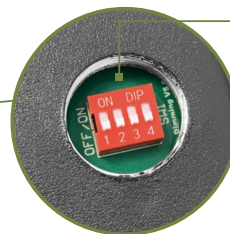
Versatile and designed to suit a wide range of industrial and commercial lighting applications with an efficacy of up to 150lm/W, the [SENTRY] is the ideal replacement for conventional flood lighting across the range of wattages. The [SENTRY] body is built from premium aluminium ensuring maximum strength with minimum weight.



Key Features

- > Wattage Selectable (200W model only)
- > Unique angled bracket design to allow easy installation with power tools
- > Slim design for easy installation
- > Highly efficient achieving up to 150lm/W
- > Suitable for a wide range of applications including area, security and commercial lighting
- > Asymmetric beam angle for more effective and even light distribution

Wattage Selection

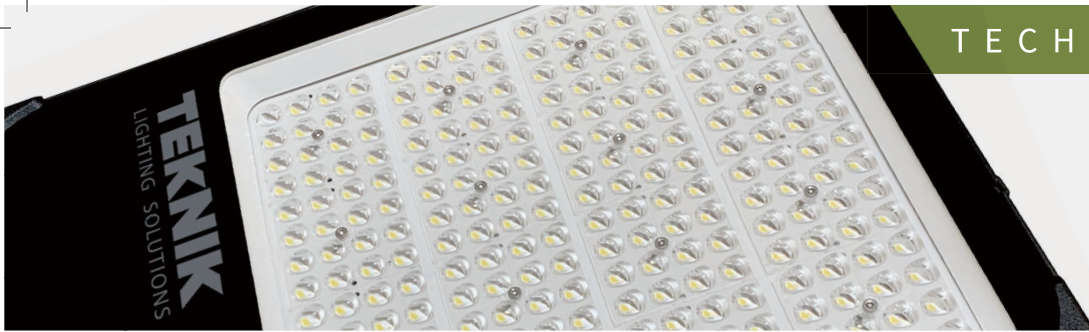


Onboard wattage selection with five selectable wattages.

*FS-200DT2-W model only

Flexible Installation

Angled bracket to allow easy installation with power tools.

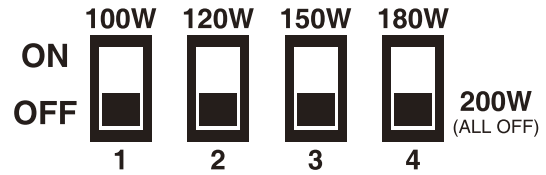


Wattage Selectable Options

FS-200DT2-W Model

Selectable Wattages 200W/180W/150W/120W/100W

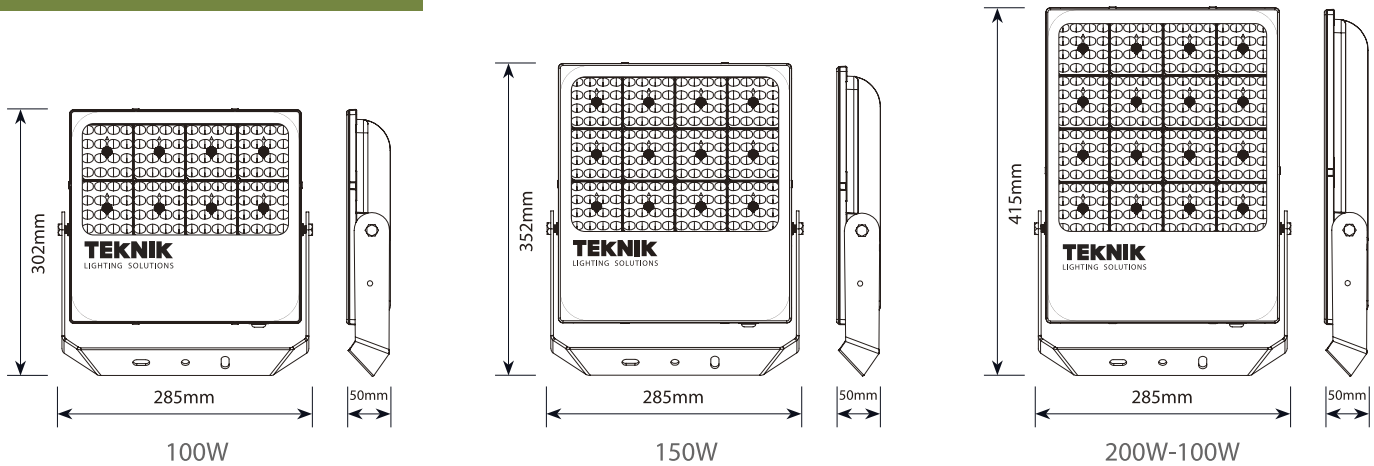
Output Levels
 100W - 16,300lm
 120W - 19,440lm
 150W - 23,625lm
 180W - 27,360lm
 200W - 30,000lm



Technical Specifications

Rated Life	≥50,000 hours	Operating Temperature	-20°C to +40°C
Body	Aluminium	Input Voltage	90-305 VAC ~ 50/60Hz
Installation	Adjustable bracket	IP Rating	IP65
Beam Angle	Asymmetric T2	IK Rating	IK08
Power Factor	>0.90	Connection	Flex and plug (1.2m)
CRI	>70		

Dimensional Drawing



Product Data

Part Number	Power	Lumen Output	CCT
FS-100DT2	100W	15,000lm	5000K
FS-150DT2	150W	22,500lm	5000K
FS-200DT2-W	200W-100W	30,000lm-16,300lm	5000K

Accessories



Pole Mount
FV-BRKT-PM