



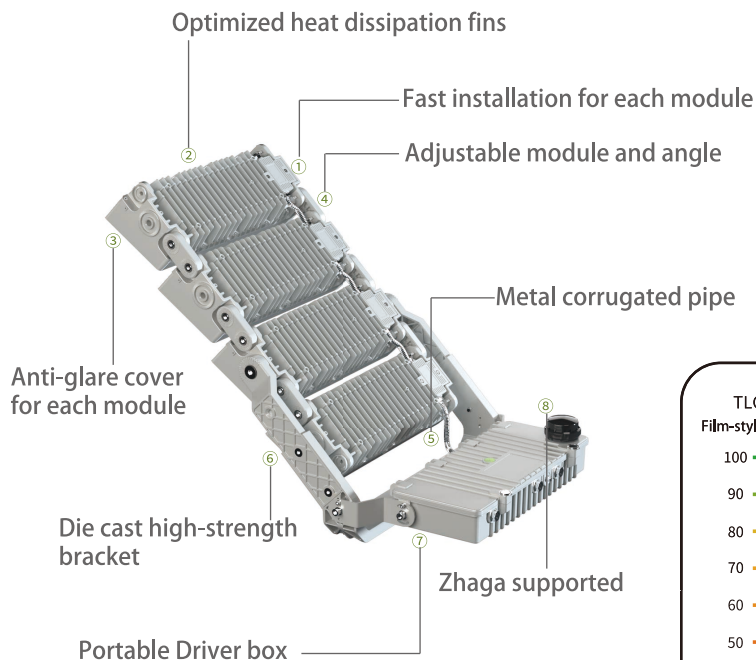
# [OPTIMUS PRO]

## STADIUM FLOODLIGHT

<b>7</b> YEAR PRODUCT WARRANTY	<b>TLCI</b> <b>95</b>	<b>IP</b> <b>66</b> INGRESS PROTECTION	<b>IK</b> <b>08</b> IMPACT PROTECTION
---	--------------------------	---	--

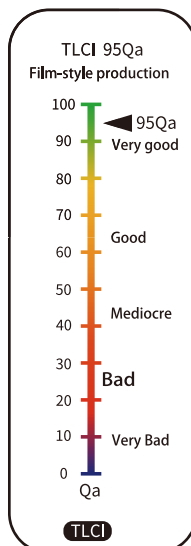
### Description

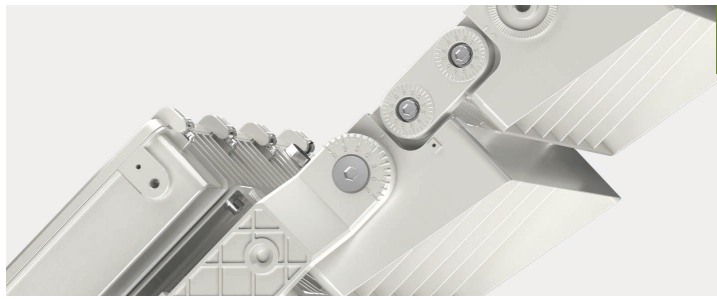
The Optimus Pro high pole modular lighting series is a new type of sports lighting solution that can provide excellent lighting quality and support movie level TLCI lighting broadcasting standards for sports venues, reaching the Qa95 level. Optimus Pro is designed specifically for sports venues and multi-purpose venues. To ensure optimal use in multiple occasions, this series includes two versions of lens lighting; This version can also be used in conjunction with external electrical boxes, which can be used independently in a distance from the lamp body; It can also be pre installed on the lamp body. In addition, flexible adjustment of angles between modules can be achieved to achieve the optimal lighting range.



### Key Features

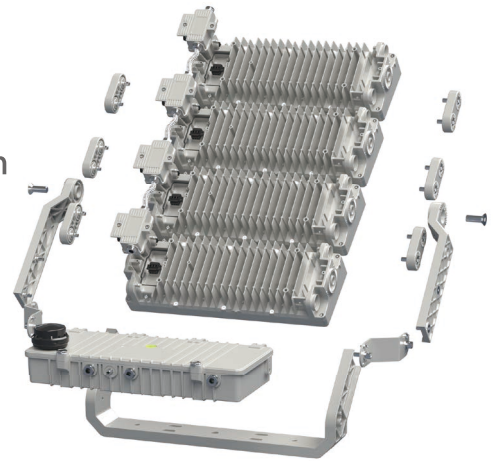
- Flexible design for any sports venues, meet TLCI 95 for high quality event broadcasting lighting standard;
- Excellent thermal management design to extend life time up to 100,000hrs to reduce maintenance and renovation cost.
- Fast installation and independent module design with adjustable angle for different application and range.
- Symmetric and asymmetric optical available to ensure low glaring and uniformity of lights.
- Reliable industrial fitting for all outdoor application.
- Integrated die-casting shell with IP66 dustproof and waterproof function.





- Symmetric and asymmetric optical available to ensure low glaring and uniformity of lights.

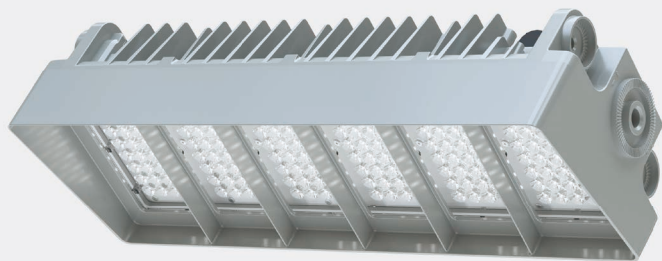
- Fast installation and independent module design with adjustable angle for different application and range.



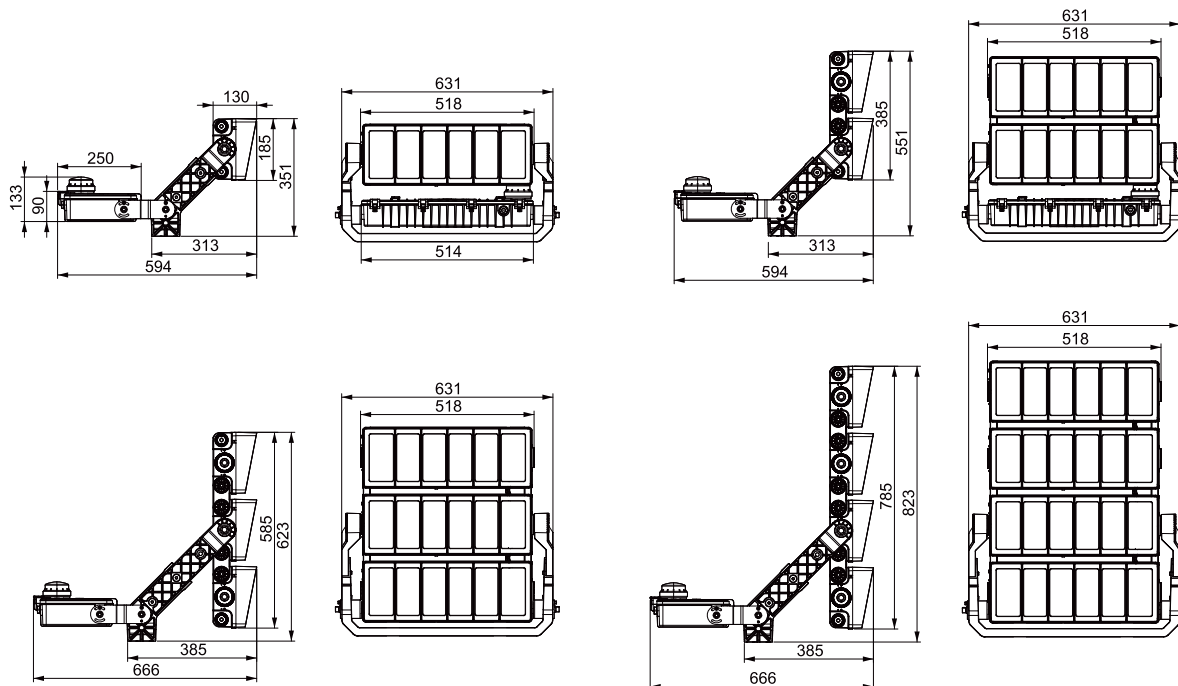
- Portable Driver box, with Zhaga supported adaptor.

### Technical Specifications

Input Volt	AC100-305V 47-63Hz	Driver	INVENTRONIC/SOSEN/MEANWELL
Power Factor	>0.95	Beam Angle	10/15/30/50° /Asymmetric
Surge Protection	L/N-g>10KV & L-N>6KV	CRI	70/80/90
THD	<10%	Lumen Efficiency	110-170lm/w
Lifespan	100,000 Hours	Working Temperature	-30°C ~ +50°C
Housing Materials	Aluminum + PC	Housing Colour	Black/Silver Colour



Dimensional Drawing



Specification

Model	Power	CCT	L	H	W	Net Weight
MHL-400W/A	400W	2700-6500K	518	185	130	19.3kg
MHL-800W/A	800W	2700-6500K	518	385	130	26.5kg
MHL-1200W/A	1200W	2700-6500K	518	585	130	23.1kg
MHL-1600W/A	1600W	2700-6500K	518	785	130	39.7kg

Opticals

