

[GLIMMER]

SQUARE HIGH BAY



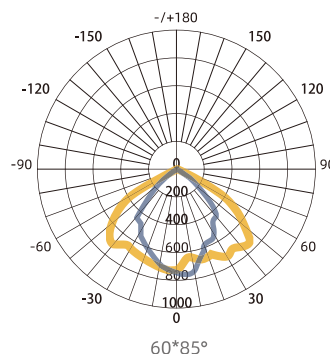
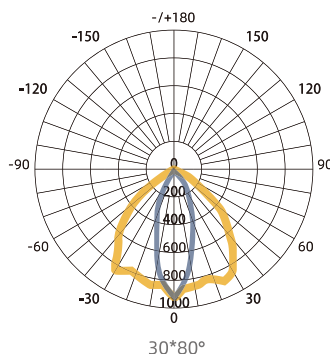
5 YEAR PRODUCT WARRANTY	IP 66 INGRESS PROTECTION	IK 08 IMPACT PROTECTION
---	---	--

Description

Rectangle Highbay is a new type of lighting fixture designed specifically for large-scale automated warehousing and logistics scenarios on high-rise shelves. Combined with various unique rectangular spot optical designs, it can improve optical utilization by more than 30% and reduce energy consumption, excellent lighting effect combined with a blackbody mask achieves anti-glare effect of $UGR < 25$, while also taking into account the product design of multiple power combinations to reduce inventory, the lamp provides 250MA12V intelligent control port power supply, taking into account the access of multiple intelligent control scene control systems !

Key Features

- > Power: 200W (150W, 100W)
- > CCT: 3000/4000/5000/5700K
- > Lighting efficiency: 160LM/W (R80)
- > Beam angle: $60^\circ * 85^\circ / 85^\circ * 85^\circ$ (symmetrical light distribution)
- > UGR: $60^\circ * 85^\circ < 25, 85^\circ * 85^\circ < 25$
- > IP grade: IP65 IK08
- > Working environment: $-40 \sim 50^\circ\text{C}$, lifespan 50000 hours
- > Power supply protection: Short circuit protection (SCP)/ Over voltage protection (OVP)/Over temperature protection (OTP)
- > Dimming control: 0-10V/PWM, auxiliary power supply 250MA 12V
- > Controller selection: single lamp microwave sensors / group microwave constant illumination controllers
- > Installation (hanging/wall mounted) to meet the needs of different customers





Technical Specifications

Input Voltage	100 - 277 VAC
Input Current	0.91A/220VAC 0.68A/220VAC 0.45A/220VAC
PF	>0.95/220VAC
Dimming	3 in 1 dimming (PWM, 0-10V, resistor) , Power dial or internal microwave controller
Color temperature	High and low color temperature ranges customized
Beam angle	30°X80° / 60°X85°
Working temperature and humidity	-40 ~ 50°C, 20 ~ 95%RH non-condensing
Storage temperature and humidity	-40 ~ 85°C, 10 ~ 95%RH non-condensing

Surge lighting stroke	4KV
IP/ IK protection grade	IP66 / IK08
Certificates	Accord with CE ENEC, ROHS2.0
Materials color	Housing: die-casting aluminium Housing color: white(RAL9003) Optics lens: PC
Warranty	5 years

Installation

Suspending/wall mounted(reference the instruction)

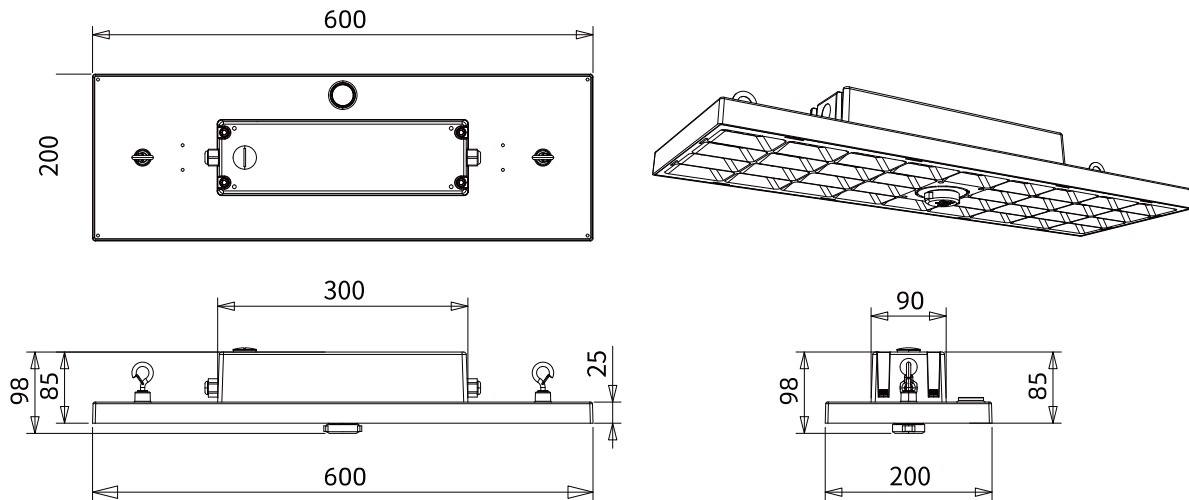
Life span	50000Hours
-----------	------------

Dimming DC 12V driver

12VDC±10%, Max current 200mA (Dimming : External control and built-in microwave control can only be used, Only use in 12V)

0-10V, Dali2, PWM, zhaga (Bluetooth APP IP65 HF Zhaga book 18 Motion Sensor with 5.0 SIG Mesh, IP65 HF zhaga Book 18 Motion Sensor- RF) ;

Dimensional Drawing



Product Data

Part Number	Power
R-HBL 200W	200W(Dimming) 150W(Dimming) 100W(Dimming)



HK office: 38-40 Au Pui Wan Street, Fo Tan, NT Hong Kong
 China office: Building 3, No. 1, Mingcheng Road, Shijing Community, Shijing Street, Pingshan District, Shenzhen City, China
 China Factory: 10th Floor, Building 16, No. 8, Galuo Sixth Road, Shuikou Street, Huicheng District, Huizhou City, China 516005
 info@lumanlighting.com